



Synthetic Web Sling type # 1 - 2 - 3 - 4

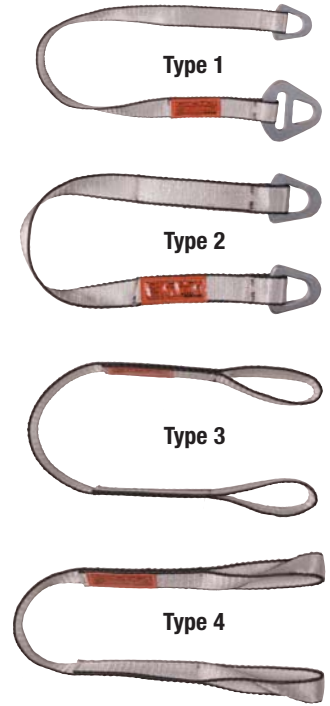
Type 1 & 2 : zinc plated steel triangles (better resistance to corrosion)

Width in.	SINGLE PLY				
	Working Load Limit lbs.				
	Vertical	Choker	Basket 60°	Basket 45°	Basket 30°
1	1,600	1,280	2,770	2,260	1,600
2	3,100	2,480	5,360	4,380	3,100
3	4,700	3,760	8,140	6,640	4,700
4	6,200	4,960	10,730	8,760	6,200
5	7,800	6,240	13,500	11,020	7,800
6	9,300	7,440	16,100	13,150	9,300
8	11,750	9,400	20,350	16,610	11,750
10	14,700	11,760	25,460	20,780	14,700
12	17,650	14,120	30,560	24,950	17,650
16	23,500	18,800	40,700	33,220	23,500

Safety Factor 5:1

Width in.	DOUBLE PLY				
	Working Load Limit lbs.				
	Vertical	Choker	Basket 60°	Basket 45°	Basket 30°
1	3,100	2,400	5,300	4,300	3,100
2	6,200	4,900	10,700	8,700	6,200
3	8,800	7,000	15,200	12,400	8,800
4	11,000	8,800	19,000	15,500	11,000
5	13,700	10,900	23,700	19,300	13,700
6	16,500	13,200	28,500	23,300	16,500
8	22,750	18,200	39,400	32,100	22,750
10	28,400	22,700	49,100	40,100	28,400
12	34,100	27,200	59,000	48,200	34,100
16	45,400	36,300	78,600	64,100	45,400

Safety Factor 5:1



Note : 1" width not available for types 1 and 2

Synthetic Web Sling type # 3 - 4

Width in.	TRIPLE PLY				
	Working Load Limit lbs.				
	Vertical	Choker	Basket 60°	Basket 45°	Basket 30°
1	3,800	3,000	6,500	5,300	3,800
2	7,400	5,900	12,800	10,400	7,400
3	11,200	8,900	19,300	15,800	11,200
4	14,800	11,800	25,600	20,900	14,800
5	18,700	14,900	32,300	26,400	18,700
6	22,300	17,800	38,600	31,500	22,300
8	28,200	22,500	48,800	39,800	28,200
10	35,200	28,100	60,900	49,700	35,200
12	42,300	33,800	73,200	59,800	42,300

Safety Factor 5:1

Width in.	QUADRUPLE PLY				
	Working Load Limit lbs.				
	Vertical	Choker	Basket 60°	Basket 45°	Basket 30°
1	5,500	4,400	9,500	7,700	5,500
2	11,000	8,800	19,000	15,500	11,000
3	16,450	13,100	28,400	23,200	16,450
4	20,400	16,300	35,300	28,800	20,400
5	25,500	20,400	44,100	36,000	25,500
6	30,600	24,400	52,900	43,200	30,600
8	37,600	30,000	65,100	53,100	37,600
10	47,000	37,600	81,400	66,400	47,000
12	56,400	45,100	97,600	79,700	56,400

Safety Factor 5:1

Material available : Polyester, Nylon

Class 7 : 9,800 lbs/in. = Fabric Tensile

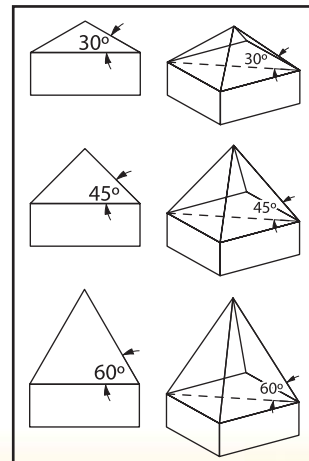
Slings made in conformance with ASME B30.9 - 1996 Standard

PRODUCT CODE

Ex: **1 9 01 P 3 B 003 - 06**

NB PLY	CAPACITY (9800 LBS/PO)	WIDTH	MATERIAL P = POLY N = NYLON	TYPE	COLOR J = YELLOW B = WHITE	LENGTH	FEET	INCHES
---------------	----------------------------------	--------------	---------------------------------------	-------------	---	---------------	-------------	---------------

1 ply, 9800 lbs/po, 1", Poly, Type 3, White, 3' 6"





Synthetic Web Sling type # 5



Type 5

SINGLE PLY					
Width in.	Working Load Limit lbs.				
	Vertical	Choker	Basket 60°	Basket 45°	Basket 30°
1	3,200	2,560	5,540	4,520	3,200
2	6,200	4,960	10,730	8,760	6,200
3	8,400	6,720	14,540	11,870	8,400
4	12,400	9,920	21,470	17,530	12,400
5	15,600	12,480	27,010	22,050	15,600
6	18,600	14,880	32,210	26,300	18,600

Safety Factor 5:1

DOUBLE PLY					
Width in.	Working Load Limit lbs.				
	Vertical	Choker	Basket 60°	Basket 45°	Basket 30°
1	6,200	4,900	10,700	8,700	6,200
2	13,400	10,700	23,200	18,900	13,400
3	17,600	14,000	30,400	24,800	17,600
4	22,000	17,600	38,100	31,100	22,000
5	27,400	21,900	47,400	38,700	27,400
6	33,000	26,400	57,100	46,600	33,000

Safety Factor 5:1

TRIPLE PLY					
Width in.	Working Load Limit lbs.				
	Vertical	Choker	Basket 60°	Basket 45°	Basket 30°
1	7,900	6,300	13,600	11,100	7,900
2	15,800	12,600	27,300	22,300	15,800
3	22,900	18,300	39,600	32,300	22,900
4	30,600	24,400	52,900	43,200	30,600
5	38,200	30,500	66,100	54,000	38,200
6	45,800	36,600	79,300	64,700	45,800

Safety Factor 5:1

QUADRUPLE PLY					
Width in.	Working Load Limit lbs.				
	Vertical	Choker	Basket 60°	Basket 45°	Basket 30°
1	10,200	8,100	17,600	14,400	10,200
2	19,800	15,800	34,200	27,900	19,800
3	30,000	24,000	51,900	42,400	30,000
4	39,600	31,600	68,500	55,900	39,600
5	49,900	39,900	86,400	70,500	49,900
6	59,500	47,600	103,000	84,100	59,500

Safety Factor 5:1

Synthetic Web Sling type CARGO



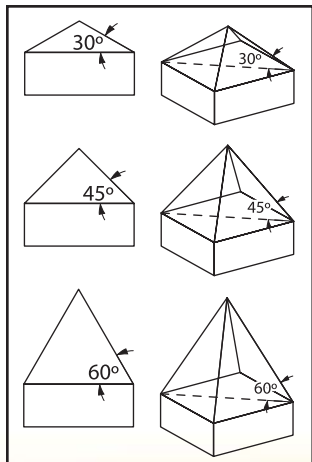
SINGLE PLY			
Width in.	Working Load Limit lbs.		
	Vertical	Choker	Vertical Basket
2	6,200	4,960	12,400
4	11,000	8,800	22,000
6	16,500	13,200	33,000

Safety Factor 5:1

DOUBLE PLY			
Width in.	Working Load Limit lbs.		
	Vertical	Choker	Vertical Basket
2	12,400	9,920	24,800
4	22,000	17,600	44,000
6	33,000	26,400	66,000

Safety Factor 5:1

Material available : Polyester, Nylon
 Class 7 : 9,800 lbs/in. = Fabric Tensile
 Slings made in conformance with ASME B30.9 - 1996 Standard



PRODUCT CODE

Ex: 1 9 01 P 3 B 003 - 06

NB PLY	CAPACITY (9800 LBS/PO)	WIDTH	MATERIAL P = POLY N = NYLON	TYPE	COLOR B = WHITE J = YELLOW	LENGTH	FEET	INCHES
1	ply, 9800 lbs/po,	1"	Poly,	Type 3,	White,	3' 6"		

Environmental considerations



WARNING

Nylon and Polyester are seriously degraded at temperatures above 200° F.

Prolonged exposure to ultraviolet light adversely affects nylon and polyester. Slings become bleached and stiff when exposed to sunlight or arc welding.

Many chemicals have an adverse effect on nylon and polyester. See chemicals chart (this page).

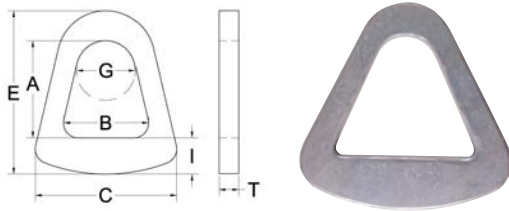
Chemicals	OK
	NOT OK

	Nylon	Polyester
Acids	NOT OK	OK *
Alcohols	OK	OK
Aldehydes	OK	NOT OK
Strong Alkalis	OK	OK **
Bleaching Agents	NOT OK	OK
Dry Cleaning Solvents	OK	OK
Ethers	OK	NOT OK
Halogenated Hydro-Carbons	OK	OK
Hydro-Carbons	OKJ	OK
Ketones	OK	OK
Oils Crude	OK	OK
Oils Lubricating	OK	OK
Soap Detergents	OK	OK
Water & Seawater	OK	OK
Weak Alkalis	OK	OK

* Disintegrated by concentrated sulfuric acid.

** Degraded by strong alkalis at elevated temperature.

Steel Triangles, zinc plated*

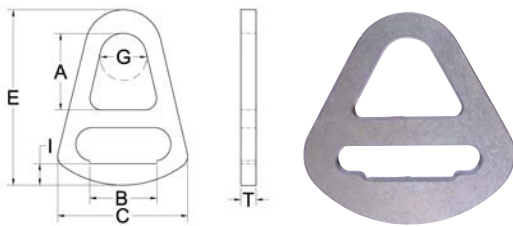


Code	Dimensions in.							Weight Approx. lbs.	Working Load Limit lbs.
	A	B	C	E	G	I	T		
TAC2	2 5/16	2 1/8	3 3/4	3 7/8	1 3/4	1	1/2	1	6,600
TAC3	3 5/16	3 1/16	5	5 3/16	2	1 1/4	1/2	1.6	8,900
TAC4	3 7/8	4 5/16	6 5/8	6 7/16	2	1 5/8	1/2	2.7	11,600
TAC5	4 15/16	5 3/16	7 15/16	7 7/8	2 1/2	2	1/2	3.5	14,000
TAC6	5 9/16	6 1/8	9 1/4	9	2 3/4	2 5/16	1/2	5.3	16,800
TAC8	7 3/16	8 1/4	12	11 7/16	3 5/8	2 7/8	3/4	12	22,400
TAC10	8 1/4	10 1/8	14 1/8	13 1/4	4 7/8	3 5/8	3/4	17	28,000
TAC12	8	12 3/8	16 7/16	13 13/16	5	4 1/16	3/4	19	32,000

Safety Factor 5:1

* Better corrosion resistance

Steel Chokers, zinc plated*



Code	Dimensions in.							Weight Approx. lbs.	Working Load Limit lbs.
	A	B	C	E	G	I	T		
CAC2	2 1/4	2 1/8	5 1/2	6	2	1 1/16	1/2	2	6,600
CAC3	3 3/16	3 1/8	7	7 1/2	2	1 3/16	1/2	2.9	8,900
CAC4	3 1/2	4 1/8	9 9/16	9 5/16	2 1/2	1 13/16	1/2	6	11,600
CAC5	4 7/16	5 1/8	11 5/8	10 9/16	2 3/4	2 1/16	1/2	7	14,000
CAC6	4 9/16	6 1/8	12 3/4	12	2 7/8	2 11/16	1/2	9.8	16,800
CAC8	6 7/16	8 1/8	16 1/2	14 7/16	5	2 13/16	3/4	24	22,400
CAC10	7 5/8	10 1/4	18 3/4	16 1/2	5 1/8	3 1/2	3/4	28	28,000
CAC12	9 3/4	12 1/8	22 5/8	19 1/4	5 1/2	4 1/4	3/4	40	32,000

Safety Factor 5:1

* Better corrosion resistance



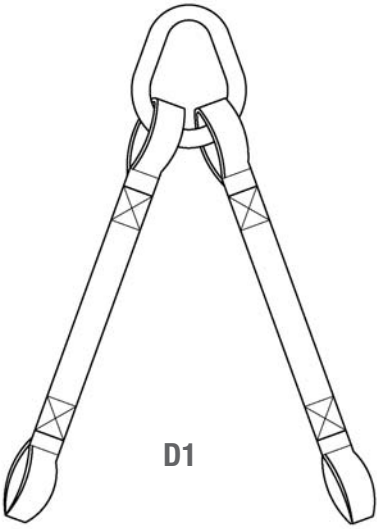
Endless roundslings

Code	Color Code	Working Load Limit lbs					Length ft.	Diameter in.	Weight lbs/ft
		Vertical	Choker	Basket 60°	Basket 45°	Basket 30°			
RS 30	Purple	3,000	2,400	5,100	4,200	3,000	3	.75	.25
RS 40	Black	4,000	3,200	6,900	5,600	4,000	3	.80	.35
RS 60	Green	6,000	4,800	10,300	8,400	6,000	3	.90	.40
RS 90	Yellow	9,000	7,200	15,500	12,700	9,000	3	1.00	.50
RS 120	Tan	12,000	9,600	20,700	16,900	12,000	3	1.25	.75
RS 140	Red	14,000	11,200	24,200	19,700	14,000	3	1.30	.85
RS 170	Orange	17,000	13,600	29,400	24,000	17,000	6	1.60	.95
RS 230	Blue	23,000	18,400	39,800	32,500	23,000	6	1.65	1.25
RS 260	Orange	26,000	20,800	45,000	36,700	26,000	6	1.75	1.45
RS 320	Grey	32,000	25,600	55,400	45,200	32,000	6	2.15	1.75
RS 400	Orange	40,000	32,000	69,200	56,500	40,000	6	2.45	2.25
RS 540	Brown	54,000	43,200	93,500	76,300	54,000	8	3.00	2.75
RS 680	Olive	68,000	54,400	117,700	96,100	68,000	8	3.25	3.60
RS 900	Black	90,000	72,000	155,800	127,200	90,000	8	3.75	4.10

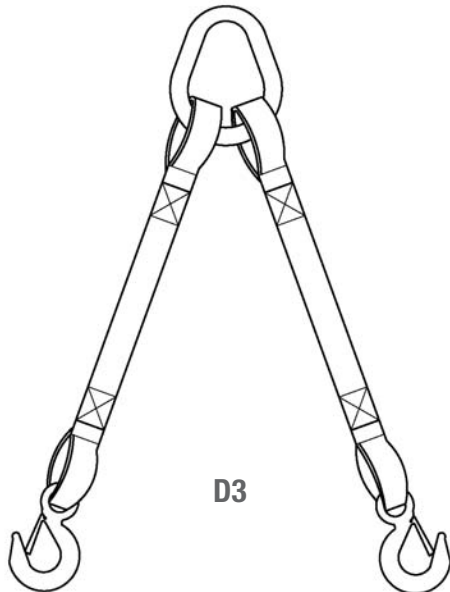
Safety Factor 5:1



Synthetic Web Sling, double



D1

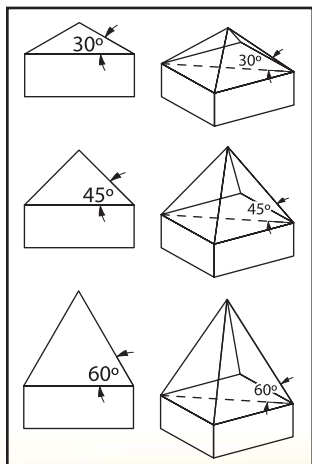


D3

Number of plys	Material Width in.	Working Load Limit lbs.		
		60 °	45 °	30 °
1	1	2,770	2,260	1,600
1	2	5,360	4,380	3,100
1	3	8,140	6,640	4,700
1	4	10,730	8,760	6,200
2	1	5,360	4,380	3,100
2	2	10,730	8,760	6,200
2	3	15,240	12,440	8,800
2	4	19,050	15,550	11,000
3	1	7,440	6,080	4,300
3	2	14,370	11,730	8,300
3	3	21,990	17,950	12,700
3	4	28,920	23,610	16,700
4	1	9,520	7,770	5,500
4	2	19,050	15,550	11,000
4	3	28,490	23,260	16,450
4	4	35,330	28,840	20,400

Safety Factor 5:1

Note : Never exceed work load limit.



PRODUCT CODE

Ex: **D** **3** - **1** **9** **01** **P** **3** **B** **003** - **06**

NUMBER OF LEGS
D = 2 T = 3 Q = 4

ENDS
1 = STD LOOP
3 = EYE HOOK

NUMBER OF PLY

FABRIC TENSILE
(9800 LBS/PO)

WIDTH

MATERIAL
P = POLY N = NYLON

TYPE

COLOR
B = WHITE J = YELLOW

LENGTH
FEET INCHES

Double legs
with eye hooks, 1 ply, 9800 lbs/po, 1", Poly, Type 3, White, 3' 6"

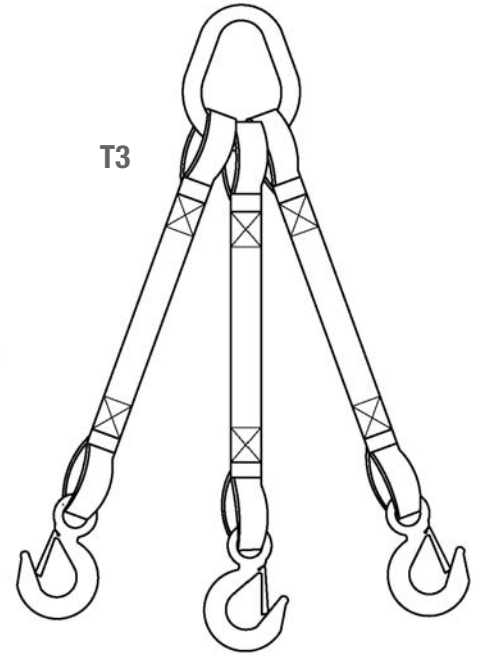
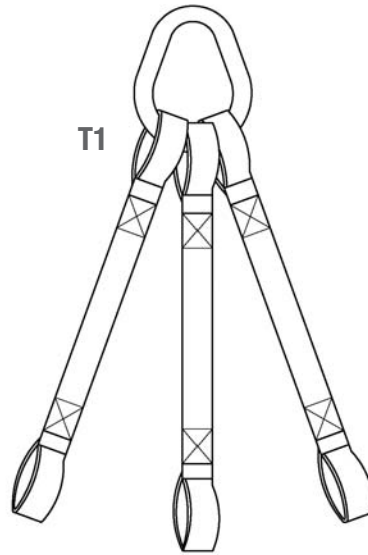


Synthetic Web Sling, triple

Number of plies	Material Width in.	Working Load Limit lbs.		
		60 °	45 °	30 °
1	1	4,150	3,390	2,400
1	2	8,050	6,570	4,650
1	3	12,200	9,960	7,050
1	4	16,100	13,100	9,300
2	1	8,050	6,570	4,650
2	2	16,100	13,100	9,300
2	3	22,800	18,600	13,200
2	4	28,500	23,300	16,500
3	1	11,100	9,120	6,450
3	2	21,500	17,600	12,400
3	3	32,900	26,900	19,000
3	4	43,300	35,400	25,000
4	1	14,200	11,600	8,250
4	2	28,500	23,300	16,500
4	3	42,700	34,800	24,600
4	4	52,900	43,200	30,600

Safety Factor 5:1

Note : Never exceed work load limit.



Synthetic Web Sling, quadruple

Number of plies	Material Width in.	Working Load Limit lbs.		
		60 °	45 °	30 °
1	1	5,540	4,520	3,200
1	2	10,700	8,760	6,200
1	3	16,200	13,200	9,400
1	4	21,400	17,500	12,400
2	1	10,700	8,700	6,200
2	2	21,400	17,500	12,400
2	3	30,400	24,800	17,600
2	4	38,100	31,100	22,000
3	1	14,800	12,100	8,600
3	2	28,700	23,400	16,600
3	3	43,900	35,900	25,400
3	4	57,800	47,200	33,400
4	1	19,000	15,500	11,000
4	2	38,100	31,100	22,000
4	3	56,900	46,500	32,900
4	4	70,600	57,600	40,800

Safety Factor 5:1

Note : Never exceed work load limit.

Material available : Polyester, Nylon
 Class 7 : 9,800 lbs/in. = Fabric Tensile
 Slings made in conformance with ASME B30.9 - 1996 Standard

